

36U SERIES

- INDICATOR LIGHTS WITH LOW PROFILE FLANGE
- PRESSFIT NEON, LED & INCANDESCENT
- 5/16" DIA. MOUNTING HOLE
- WHITE NYLON HOUSING • HI-HAT OR FLUSH LENS • VARIOUS LENS COLORS
- 6" WIRE LEADS • 2 TO 250 DESIGN VOLTS • SPEED NUT PROVIDED

Overview

The 36U Series indicator lights feature a wide variety of lens colors, voltage options and bezel variations. The 36U Series is constructed with a low profile flange for a front panel projection of only 7/64". Indicator lights front mount into a 5/16" (7.93mm) mounting hole with a recommended panel thickness of 0.020" minimum. A speed nut, part number **8700091688**, is supplied.

Specifications

Housing: white nylon. A black housing is also available.

Lens: polycarbonate.

Bezel: zinc plated brass. A black anodized bezel is also available.

Incandescent AC or DC voltage options: 6, 14 and 28 volts.

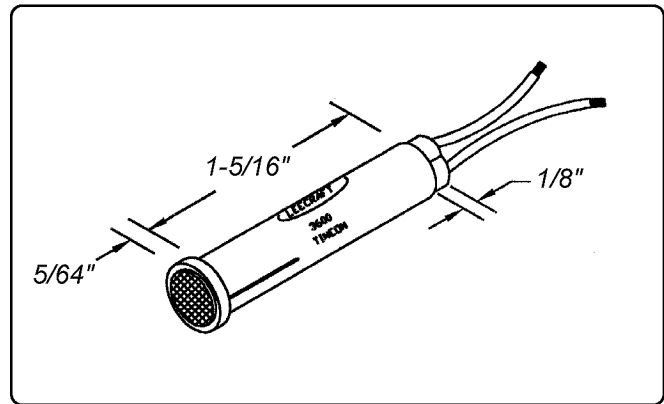
Neon AC or DC voltage options: 125 and 250 volts.
Note: high brightness green and blue neon lamps supplied in green and blue neon applications.

LED DC voltage options: 2, 6, 12, 24 volts.

LED AC voltage options: 125 volts.

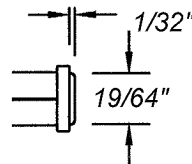
Note: 125 volts AC units contain a bi-polar LED.

Two 6" wire leads: #20 AWG, black, bare copper, PVC insulated, UL/CSA rated 105°C, 600 V, UL style 1015, stripped 1/2". For DC LED units, wire leads are color-coded red and black; the red wire lead denotes the anode (+) while a black wire lead identifies the cathode (-). For AC LED units, wire leads are white. Custom wire lengths, stripping, termination and wire types are available.

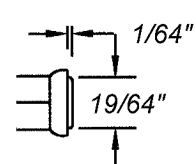


Flush Lens Style

Without bezel.

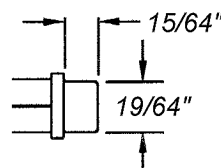


With bezel.

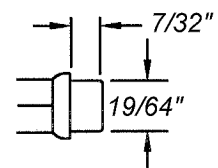


Hi-Hat Lens Style

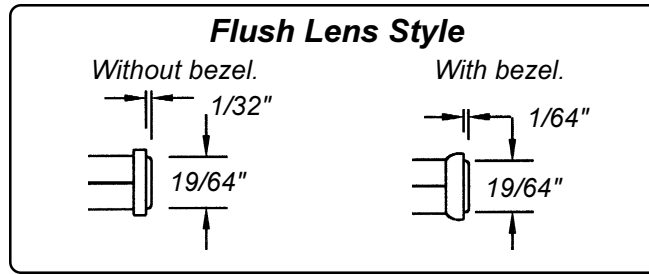
Without bezel.



With bezel.



**36U Series
Optional
Zinc Plated Bezel
5/16" Mounting Hole
Neon or
Incandescent**



**6" Wire Leads
Flush Lens
White Housing
Speed Nut
6 to 250 Design Volts
Various Lens Colors**

Part Numbers Without Bezel	Part Numbers With Zinc Plated Bezel	Lens Color	Lamp Type	Design Volts	Design Watts or Amps	Life (hrs)
36UN-2311	36URN-2311	Red	Neon	125	1/3W	25,000
36UHN-2311	36UHRN-2311	Red	Neon	250	1/3W	25,000
36UNG1-2311	36URNG1-2311	Red	Incandescent	6	.20A	5,000
36UNG3-2311	36URNG3-2311	Red	Incandescent	14	.10A	10,000
36UNG18-2311	36URNG18-2311	Red	Incandescent	28	.04A	7,000
36UN-2312	36URN-2312	Green	Neon	125	1/3W	25,000
36UHN-2312	36UHRN-2312	Green	Neon	250	1/3W	25,000
36UNG1-2312	36URNG1-2312	Green	Incandescent	6	.20A	5,000
36UNG3-2312	36URNG3-2312	Green	Incandescent	14	.10A	10,000
36UNG18-2312	36URNG18-2312	Green	Incandescent	28	.04A	7,000
36UN-2313	36URN-2313	Amber	Neon	125	1/3W	25,000
36UHN-2313	36UHRN-2313	Amber	Neon	250	1/3W	25,000
36UNG1-2313	36URNG1-2313	Amber	Incandescent	6	.20A	5,000
36UNG3-2313	36URNG3-2313	Amber	Incandescent	14	.10A	10,000
36UNG18-2313	36URNG18-2313	Amber	Incandescent	28	.04A	7,000
36UN-2314	36URN-2314	Blue	Neon	125	1/3W	25,000
36UHN-2314	36UHRN-2314	Blue	Neon	250	1/3W	25,000
36UNG1-2314	36URNG1-2314	Blue	Incandescent	6	.20A	5,000
36UNG3-2314	36URNG3-2314	Blue	Incandescent	14	.10A	10,000
36UNG18-2314	36URNG18-2314	Blue	Incandescent	28	.04A	7,000
36UN-2315	36URN-2315	White	Neon	125	1/3W	25,000
36UHN-2315	36UHRN-2315	White	Neon	250	1/3W	25,000
36UNG1-2315	36URNG1-2315	White	Incandescent	6	.20A	5,000
36UNG3-2315	36URNG3-2315	White	Incandescent	14	.10A	10,000
36UNG18-2315	36URNG18-2315	White	Incandescent	28	.04A	7,000
36UN-2317	36URN-2317	Clear	Neon	125	1/3W	25,000
36UHN-2317	36UHRN-2317	Clear	Neon	250	1/3W	25,000
36UNG1-2317	36URNG1-2317	Clear	Incandescent	6	.20A	5,000
36UNG3-2317	36URNG3-2317	Clear	Incandescent	14	.10A	10,000
36UNG18-2317	36URNG18-2317	Clear	Incandescent	28	.04A	7,000

Indicator Lights